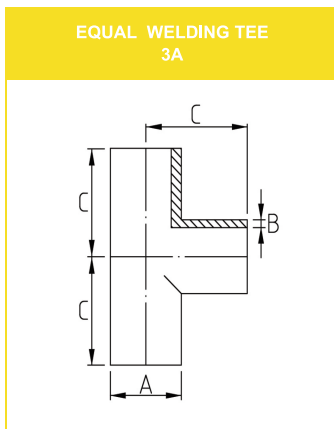
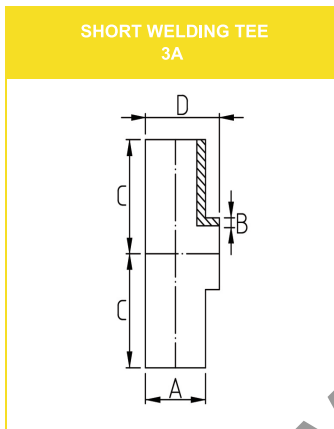


DN	A mm	B mm	C mm	D mm	E mm	kg	AISI 304/1.4301 Art.-Nr.	AISI 316L/1.4404 Art.-Nr.2
1/2"	12.70	1.65	19.10			0.01	301440-12	301470-12
3/4"	19.10	1.65	28.60			0.03	301440-19	301470-19
1"	25.40	1.65	38.10			0.05	301440-25	301470-25
1.5"	38.10	1.65	57.20			0.13	301440-38	301470-38
2"	50.80	1.65	76.20			0.27	301440-50	301470-50
2.5"	63.50	1.65	95.20			0.33	301440-63	301470-63
3"	76.20	1.65	114.30			0.63	301440-76	301470-76
4"	101.60	2.10	152.40			1.30	301440-101	301470-101
6"	152.40	2.10	228.60			2.72	301440-152	301470-152



DN	A mm	B mm	C mm	D mm	E mm	kg	AISI 304/1.4301 Art.-Nr.	AISI 316L/1.4404 Art.-Nr.2
1"	25.40	1.65	28.60			0.15	332440-25	332470-25
1.5"	38.10	1.65	42.10			0.31	332440-38	332470-38
2"	50.80	1.65	52.40			0.44	332440-50	332470-50
2.5"	63.50	1.65	59.60			0.70	332440-63	332470-63
3"	76.20	1.65	65.90			1.05	332440-76	332470-76
4"	101.60	2.10	87.40			2.00	332440-101	332470-101

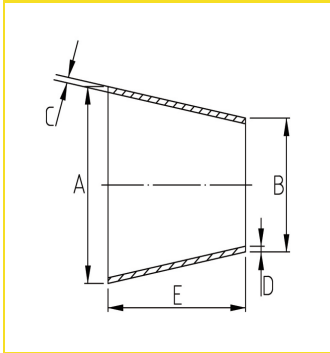


DN	A mm	B mm	C mm	D mm	E mm	kg	AISI 304/1.4301 Art.-Nr.	AISI 316L/1.4404 Art.-Nr.2
3/4"	19.10	1.65	25.40	20.50		0.10	331440-19	331470-19
1"	25.40	1.65	28.60	26.90		0.13	331440-25	331470-25
1.5"	38.10	1.65	42.10	40.60		0.20	331440-38	331470-38
2"	50.80	1.65	52.40	54.50		0.32	331440-50	331470-50
2.5"	63.50	1.65	59.60	67.00		0.47	331440-63	331470-63
3"	76.20	1.65	65.90	79.50		0.79	331440-76	331470-76
4"	101.60	2.10	87.40	105.50		1.41	331440-101	331470-101

www.efitekinox.com

3 A

CONCENTRIC REDUCER WITHOUT STRAIGHT END 3A



DN	A mm	B mm	C mm	D mm	E mm	kg	AISI 304/1.4301 Art.-Nr.	AISI 316L/1.4404 Art.-Nr.2
1/2"x1/4"	12.70	6.35	1.65	1.65	25.40	0.01	341440-1206	341470-1206
1/2"x3/8"	12.70	9.53	1.65	1.65	25.40	0.01	341440-1209	341470-1209
3/4"x1/2"	19.10	12.70	1.65	1.65	25.40	0.02	341440-1912	341470-1912
3/4"x3/8"	19.10	9.53	1.65	1.65	25.40	0.02	341440-1909	341470-1909
1.0"x1/2"	25.40	12.70	1.65	1.65	38.10	0.03	341440-2512	341470-2512
1.0"x3/8"	25.40	9.53	1.65	1.65	38.10	0.03	341440-2509	341470-2509
1.0"x3/4"	25.40	19.10	1.65	1.65	25.40	0.03	341440-2519	341470-2519
1.5"x3/4"	38.10	19.10	1.65	1.65	50.80	0.04	341440-3819	341470-3819
1.5"x1.0"	38.10	25.40	1.65	1.65	50.80	0.03	341440-3825	341470-3825
2.0"x1.0"	50.80	25.40	1.65	1.65	101.60	0.08	341440-5025	341470-5025
2.0"x1.5"	50.80	38.10	1.65	1.65	50.80	0.09	341440-5038	341470-5038
2.5"x1.0"	63.50	25.40	1.65	1.65	152.40	0.13	341440-6325	341470-6325
2.5"x1.5"	63.50	38.10	1.65	1.65	1p1.6	0.11	341440-6338	341470-6338
2.5"x2.0"	63.50	50.80	1.65	1.65	50.80	0.09	341440-6350	341470-6350
3.0"x1.0"	76.20	25.40	1.65	1.65	203.20	0.20	341440-7625	341470-7625
3.0"x1.5"	76.20	38.10	1.65	1.65	152.40	0.16	341440-7638	341470-7638
3.0"x2.0"	76.20	50.80	1.65	1.65	101.60	0.12	341440-7650	341470-7650
3.0"x2.5"	76.20	63.50	1.65	1.65	50.80	0.11	341440-7663	341470-7663
4.0"x2.0"	101.60	50.80	2.10	1.65	203.20	0.29	341440-10150	341470-10150
4.0"x2.5"	101.60	63.50	2.10	1.65	152.40	0.24	341440-10163	341470-10163
4.0"x3.0"	101.60	76.20	2.10	1.65	101.60	0.17	341440-10176	341470-10176
5.0"x4.0"	127.00	101.60	2.10	2.10	70.00	0.35	341440-127101	341470-127101
6.0"x3.0"	152.40	76.20	2.10	2.10	241.30	0.55	341440-15276	341470-15276
6.0"x4.0"	152.40	101.60	2.10	2.10	139.70	0.45	341440-152101	341470-152101